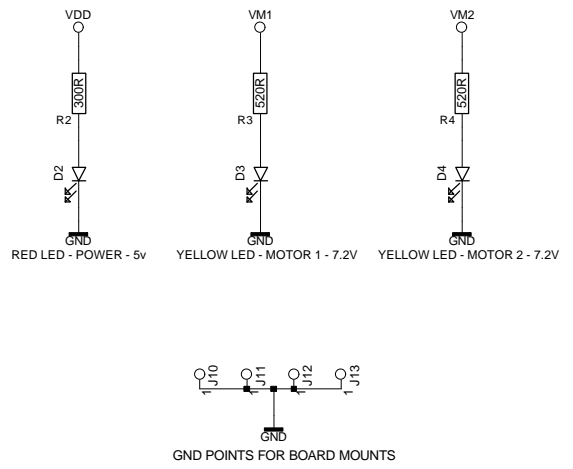
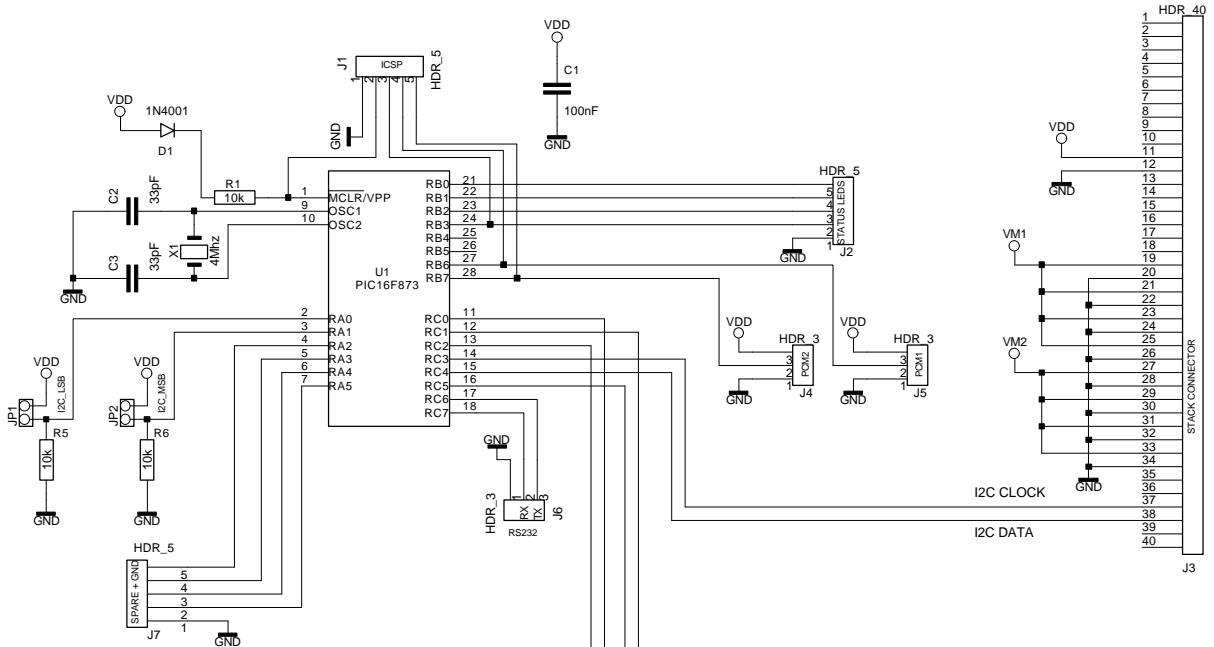


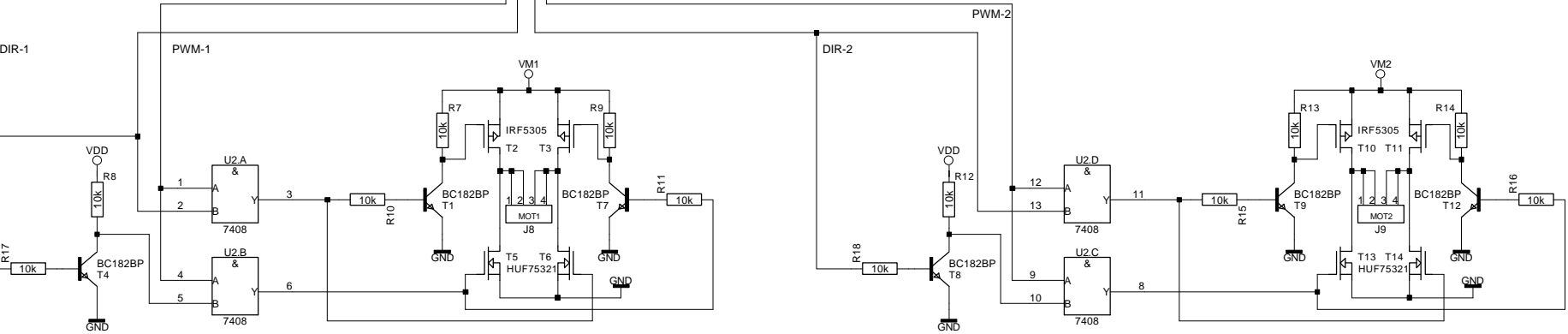
D

D



C

C



MOTOR 1

MOTOR 2

A

A

REV: 1.1	DATE: 28-01-01	PIC HAD NET VSS NOT GND
REV: 1.0	DATE: 20-08-01	ENG: I.MUDIE
PROJECT: FLD BLIMP - I2C MOTOR SPEED CONTROLLER		
COMPANY: IASEL		
ADDRESS: UWE		
CITY: BRISTOL		
COUNTRY: UK		
INITIAL	15-08-01	PAGE: 1 OF: 1